

4

3

2

1

D

D

C

C

B

B

A

A

234-44-342  
Air Knob, 2025 Fox E-SUV (36)

Seals: 2020 Marzocchi Z2 Air  
Knob, Red NBR 70

820-05-419-KIT  
Topcap Assy, 2018 FLOAT LC NA2, 36, Black

234-04-953  
Volume Spacer, FLOAT NA 2, 34, 1.214 Bore, Green

TORQUE:  
220±5 IN-LBF  
(INTO FORK CHASSIS)

Fastener, Standard(Metric) : Bolt [M8  
X1.25P X16mm] Socket Button Head  
Cap/Black, Oxide Alloy Steel / Grade 8.8

TORQUE:  
50±5 IN-LBF  
(INTO FORK CHASSIS)

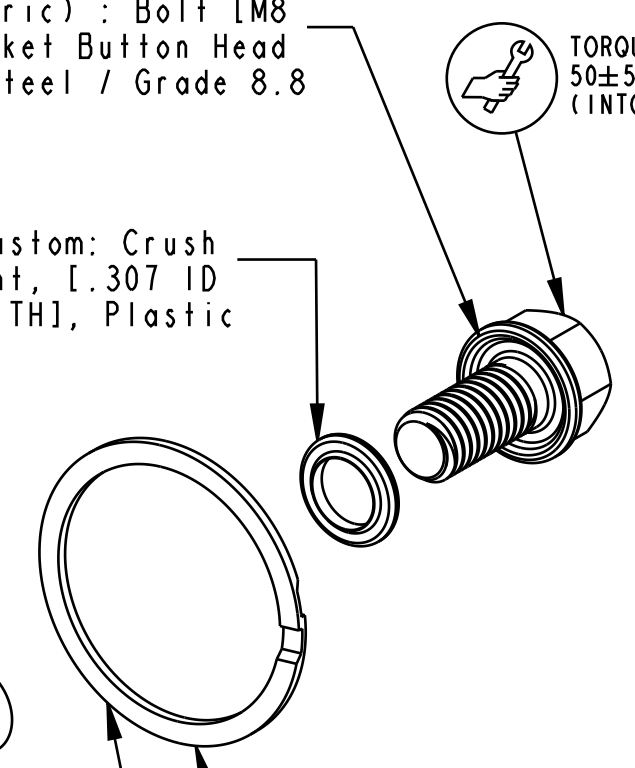
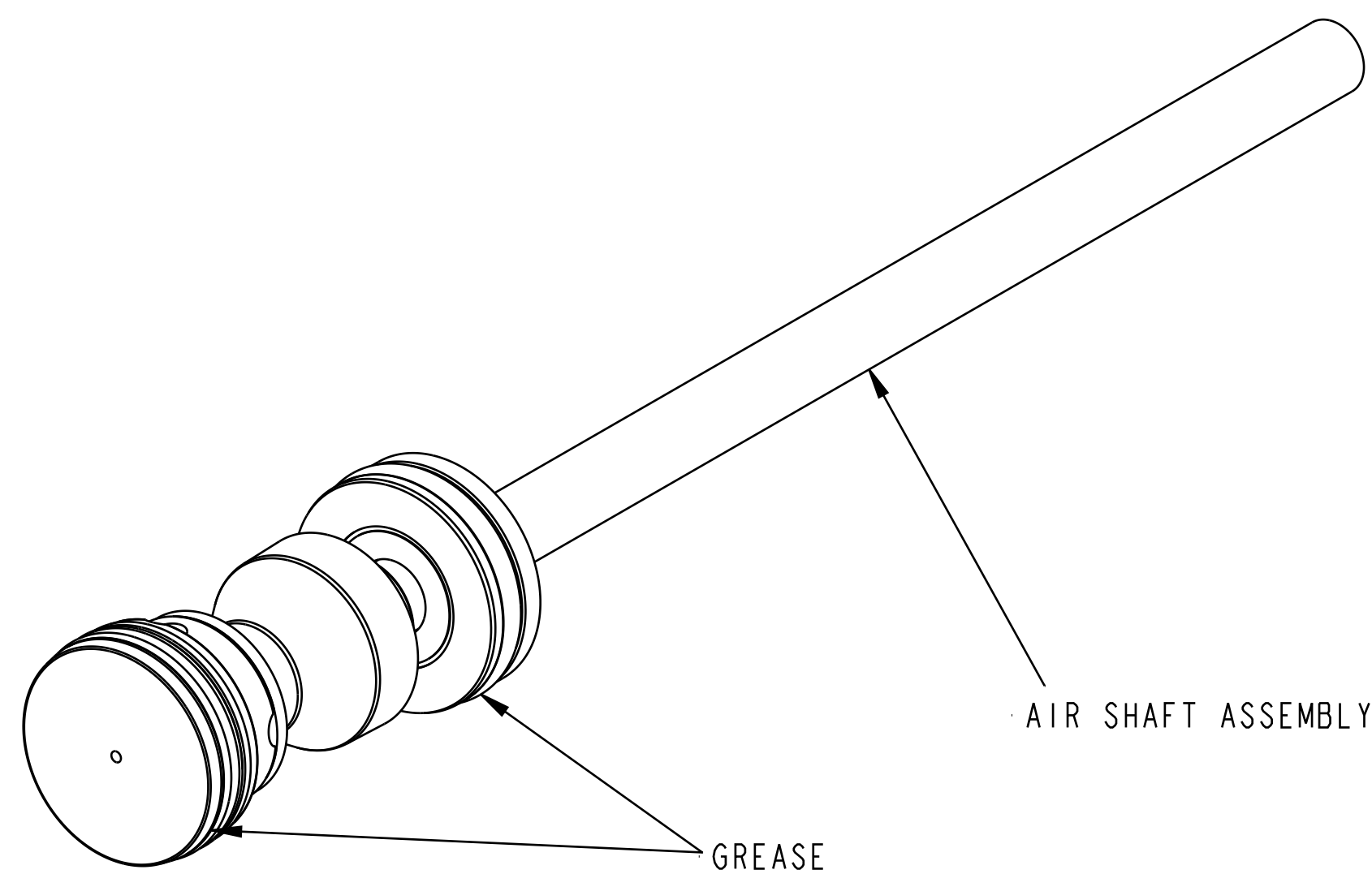
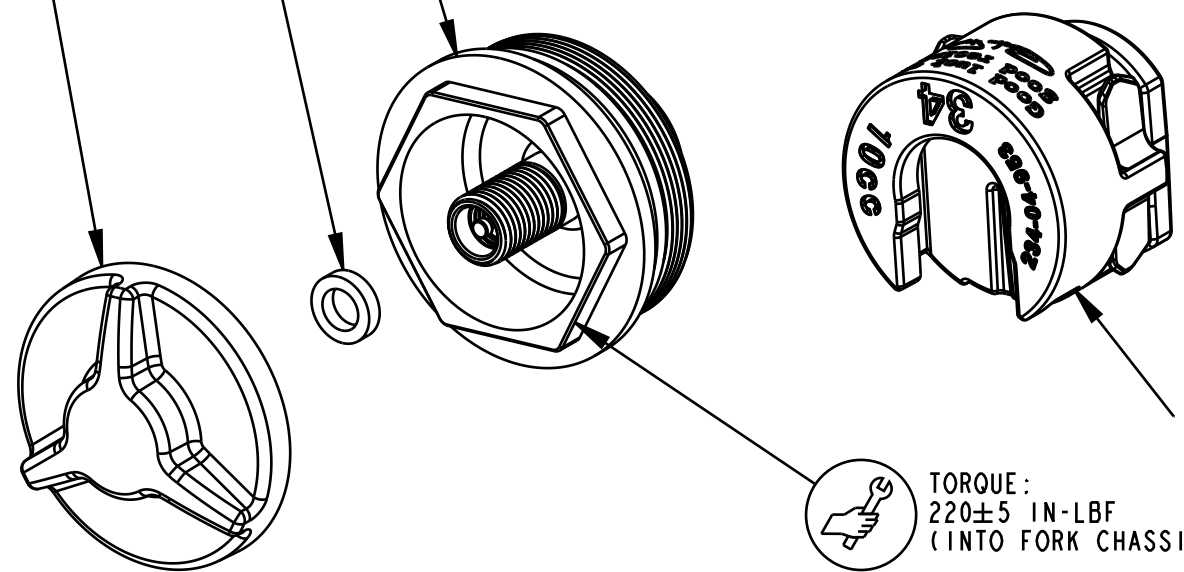
Fastener, Custom: Crush  
Washer, Direct Mount, [.307 ID  
X .472 OD X .039 TH], Plastic

038-00-027  
Retaining Ring: Internal, Smalley DNH-33-SO2, 302 SST

IMPORTANT:  
INSPECT 100% THAT RETAINING RING  
IS FULLY INSTALLED INTO GROOVE FULL 360°

AIR SHAFT ASSEMBLY

GREASE



PROPRIETARY  
THIS DOCUMENT CONTAINS CONFIDENTIAL, PROPRIETARY INFORMATION  
THAT IS FOX PROPERTY. DO NOT DISCLOSE TO OR DUPLICATE  
FOR OTHERS EXCEPT AS AUTHORIZED BY FOX.

<b>FOX</b>		<b>FOX Factory, Inc.</b>	Ph 831-768-1100
		130 Hangar Way, Watsonville, CA 95076 USA	Fax 831-768-9312
TITLE <b>Air Spring Assys, DMAS, 2025 FOX AWL 36, 1.194 Bore</b>			
SIZE <b>C</b>	DWG. NO.		
PLOT SCALE 1.3:1		SHEET 1 OF 1	